

# exciplex<sup>®</sup>

PHOTOTHERAPY 308

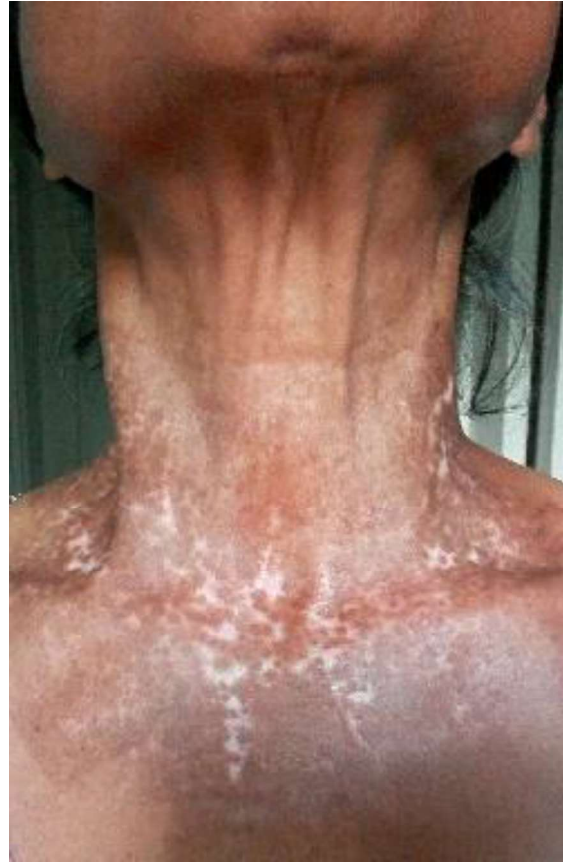
HOW DO YOU EFFECTIVELY TREAT YOUR  
SKIN **AUTOIMMUNE DISEASE?**



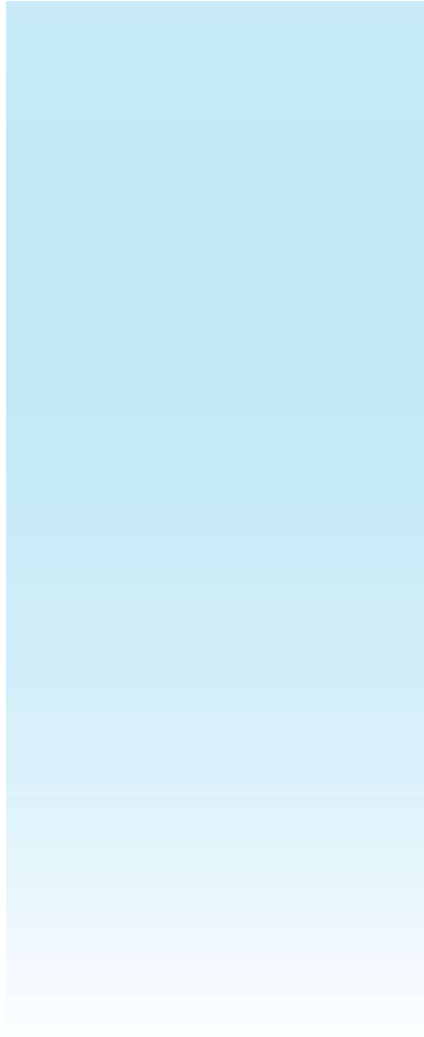
- VITILIGO
- PSORIASIS
- ALOPECIA AREATA
- ATOPIC DERMATITIS
- MYCOSIS FUNGOIDES



VITILIGO



After 6 months of treatment



*Courtesy by Dr. Passeron*

# EXCIPLEX<sup>®</sup> PHOTOTHERAPY RESULTS



VITILIGO



After 20 sessions

*Courtesy by Dr. Passeron*

# EXCIPLEX<sup>®</sup> PHOTOTHERAPY RESULTS



VITILIGO



After 24 sessions

*Courtesy by Barbie Clinic*

# EXCIPLEX<sup>®</sup> Clinical RESULTS



VITILIGO



After 22 sessions

*Courtesy by Dr. Sakhiya*

## EXCIPLEX<sup>®</sup> PHOTOTHERAPY RESULTS



VITILIGO



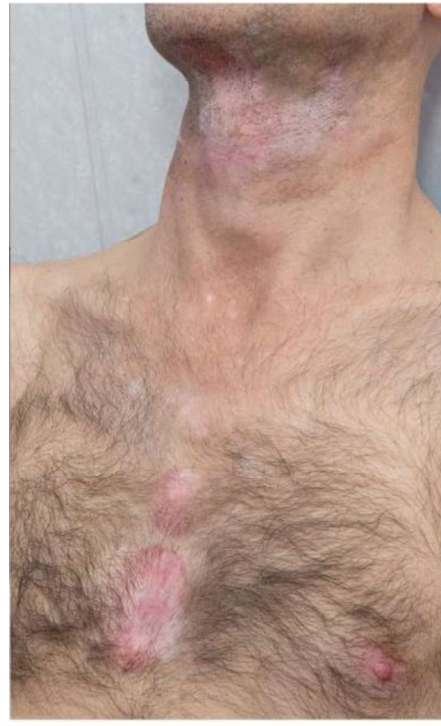
After 17 sessions

*Courtesy by barbie clinic*

## EXCIPLEX<sup>®</sup> PHOTOTHERAPY RESULTS



VITILIGO



After 18 sessions

*Courtesy by Dr. Rita*

# EXCIPLEX<sup>®</sup> PHOTOTHERAPY RESULTS



VITILIGO



After 20 sessions

*Courtesy by Dr. Sakhiya*



# EXCIPLEX<sup>®</sup> PHOTOTHERAPY RESULTS



VITILIGO



After 15 sessions

*Courtesy by Dr. Swapnil Shah*

# EXCIPLEX<sup>®</sup> PHOTOTHERAPY RESULTS



VITILIGO



After 18 sessions

*Courtesy by Dr. Sakhiya*

## EXCIPLEX<sup>®</sup> PHOTOTHERAPY RESULTS



VITILIGO



After 19 sessions

*Courtesy by Dr. Swapnil Shah*

# EXCIPLEX<sup>®</sup> PHOTOTHERAPY RESULTS



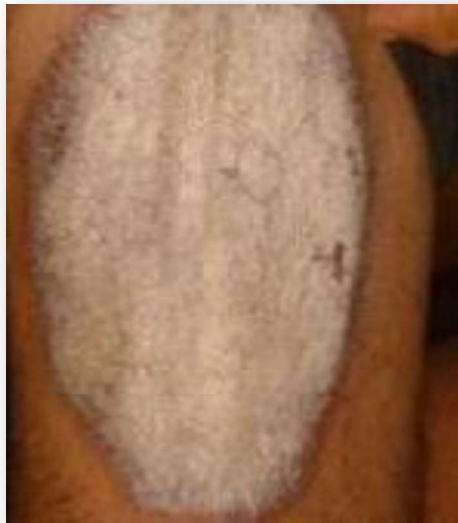
Psoriasis



After 20 sessions

*Courtesy by Barbie clinic*

## EXCIPLEX<sup>®</sup> PHOTOTHERAPY RESULTS



PSORIASIS



After 20 sessions

*Courtesy by Dr. Sakhiya*

## EXCIPLEX<sup>®</sup> PHOTOTHERAPY RESULTS



PSORIASIS



After 15 sessions

*Courtesy by Dr. Sakhiya*

## EXCIPLEX<sup>®</sup> PHOTOTHERAPY RESULTS



PSORIASIS



After 20 sessions

*Courtesy by Dr. Sakhiya*

## EXCIPLEX<sup>®</sup> PHOTOTHERAPY RESULTS



PSORIASIS



After 20 sessions

*Courtesy by Dr. Passeron*



# EXCIPLEX<sup>®</sup> PHOTOTHERAPY RESULTS



Alopecia Areata



After 18 sessions

*Courtesy by Dr. Passeron*

## EXCIPLEX<sup>®</sup> PHOTOTHERAPY RESULTS



ALOPECIA AERATA



After 18 sessions

*Courtesy by Dr. Swapnil Shah*

## EXCIPLEX<sup>®</sup> PHOTOTHERAPY RESULTS



Mycosis Fungoid



After 25 sessions

*Courtesy by Dr. Swapnil Shah*

# EXCIPLEX<sup>®</sup> PHOTOTHERAPY RESULTS



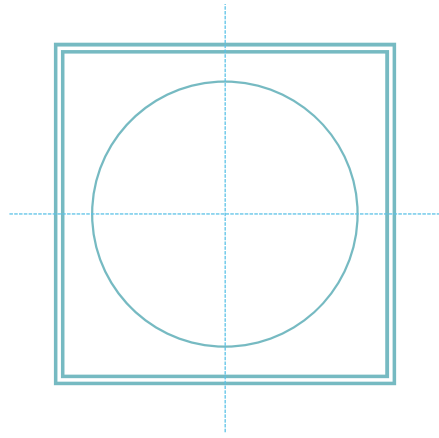
Mycosis Fungoid

After 15 sessions

3 months after treatment



*Courtesy by Pr Passeron*



## **CONFIDENTIAL DOCUMENT**

Reproduction and distribution prohibited  
without prior and written authorisation from  
CLARTEIS

## **CLARTEIS**

120 route des macarons  
06 560 Valbonne  
France

[\*\*contact@clarteis.com\*\*](mailto:contact@clarteis.com)

Tel: + 33 9 54 03 93 77

[\*\*www.clarteis.com\*\*](http://www.clarteis.com)

